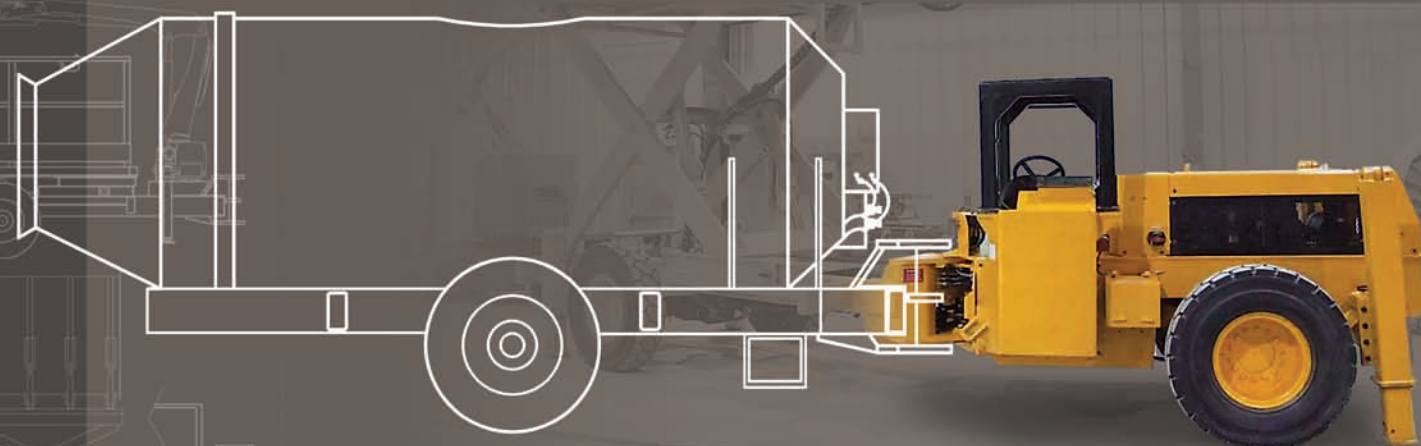


TMX 5000 TRANSMIXER

5000 SERIES

TMX TRANSMIXER



THE EVOLUTION OF ENGINEERING
BUILT TO PERFORM

J&S

MANUFACTURING

Proudly build in Northern Ontario, Canada ■ High Quality ■ Dependable ■ Durable

J&S Manufacturing
has design capabilities
ranging from custom
technical design to
mobile equipment.
Our engineers
and design team
can take your
equipment ideas and
make them a reality.

FEATURES

- Heavy duty frame construction providing a stable platform.
- Reliable and proven power train components with integrated torque converter.
- Four-wheel drive, articulated steer carrier.
- Operator and passenger suspension seats – come with seat belts.
- Spring applied hydraulic release parking and emergency brakes on both axles.

ENGINE

Deutz BF6M1013C Engine 246hp

TRANSMISSION

Clark 32,000 Series Power Shift Transmission

AXLES

- Front Ford New Holland D65I Axle
- Rear John Deere Axle
- Fully hydraulic internal wet disc brake axles with independent front and rear application systems

TIRES

12:00 x 20 mine rated pneumatic tires

ELECTRICAL

24 volt electrical system
Electric limit switch to prevent movement of the vehicle when deck is extended.

HYDRAULIC SYSTEM

All hoses and fittings with SAE 37 deg JIC Aeroquip

EQUIPPED WITH

- Fire Suppression System Ansul 4 Nozzle
- ROPS/FOPS Canopy

AVAILABLE OPTIONS

- Automatic Lubrication Systems
- Air Conditioners and heaters for cabs
- Wing filled or Solid Tires

*For distributor information
please visit our website at
www.jsmanufacturing.ca
or call us at 705.844.2598*